



WHITE-RODGERS

1F36

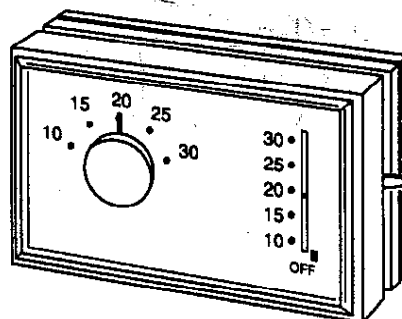
Heating and/or Cooling Thermostat
INSTALLATION INSTRUCTIONS

Operator: Save these instructions for future use!

FAILURE TO READ AND FOLLOW ALL INSTRUCTIONS CAREFULLY BEFORE INSTALLING OR OPERATING THIS CONTROL COULD CAUSE PERSONAL INJURY AND/OR PROPERTY DAMAGE.

DESCRIPTION

This low voltage thermostat is designed to provide convenient control of room temperature by automatically cycling the electrical valve or relay in the system. To provide greater room comfort, the sensitive spiral bimetal is combined with an adjustable heating and fixed cooling anticipator to provide maximum comfort. The thermostat may be switched off by moving the temperature selection lever all the way down to the OFF position.



CAUTION

To prevent property damage and/or personal injury, do not leave the thermostat in the OFF position when temperatures are near or below freezing.

PRECAUTIONS

If in doubt about whether your wiring is millivolt, line, or low voltage, have it inspected by a qualified heating and air conditioning contractor, electrician, or someone familiar with basic electricity and wiring.

This control is a precision instrument, and should be handled carefully. Rough handling or distorting components could cause the control to malfunction.

Do not exceed the specification ratings.

All wiring must conform to local and national electrical codes and ordinances.

CAUTION

To prevent electrical shock and/or equipment damage, disconnect electric power to system, at main fuse or circuit breaker box, until installation is complete.

Do not short out terminals on gas valve or primary control to test. Short or incorrect wiring will burn out heat anticipator and could cause personal injury and/or property damage.

CONTENTS

Description	1
Precautions	1
Specifications	2
Installation	2
Select Thermostat Location	
Route Wires to Location	
Attach Wall Mounting Plate to Wall	
Attach Thermostat to Wall Mounting Plate	
Adjustment	4
Adjusting Heat Anticipator	
Calibrating Thermostat	

WARNING

Do not use on circuits exceeding 30 volts. Higher voltage will damage control and could cause shock or fire hazard.



WHITE-RODGERS DIVISION
EMERSON ELECTRIC CO.
9797 REAVIS ROAD
ST. LOUIS, MISSOURI 63123-5329

Printed in U.S.A.

PART NO. 37-5154A

9213

SPECIFICATIONS

ELECTRICAL DATA

Switch Rating: 24vAC (30vAC max.)

Heating - 0.15 to 1.2 Amps

Cooling - 0 to 1.5 Amps

Switch Action: SPDT - Sealed mercury switch

Anticipator Rating:

Heating - Adjustable from 0.15 to 1.2 Amps

Cooling - Fixed 24 volts AC

THERMAL DATA

Temperature Range: Heat 10°C to 32°C

Differential:

Heating - 1°C

Cooling - 1.5°C

INSTALLATION

SELECT THERMOSTAT LOCATION

Proper location insures that the thermostat will provide a comfortable home temperature. Observe the following general rules when selecting a location:

1. Locate thermostat about 5 ft. above the floor.
2. Install thermostat on a partitioning wall, not on an outside wall.
3. Never expose thermostat to direct light from lamps, sun, fireplaces or any temperature radiating equipment.
4. Avoid locations close to windows, adjoining outside walls, or doors that lead outside.
5. Avoid locations close to air registers or in the direct path of air from them.
6. Make sure there are no pipes or duct work in that part of the wall chosen for the thermostat location.
7. Never locate thermostat in a room that is warmer or cooler than the rest of the home, such as the kitchen.
8. Avoid locations with poor air circulation, such as behind doors or in alcoves.
9. The living or dining room is normally a good location, provided there is no cooking range or refrigerator on opposite side of wall.

ROUTE WIRES TO LOCATION

All wiring must conform with local and national electrical codes and ordinances.

1. If an old thermostat is being replaced and is in a satisfactory location, and the wiring appears to be in good condition, use existing wiring. If in doubt, rewire.
2. If a new location is chosen or if this is a new installation, thermostat wiring must first be run to the location selected.
3. Probe for obstructions in partition before drilling 1/2" hole in wall at selected location. Take up quarter round and drill a small guide hole for sighting (see fig. 1). From basement, drill 3/4" hole in partition floor next to guide hole. In basementless houses, drill 1/2" hole through ceiling and into partition from above (see fig. 1).
4. Through this hole drop a light chain, or 6" chain attached to a strong cord. Snag cord in basement

with hooked wire. In basementless houses, drop cord through hole in ceiling and down partitioning; snag cord at the thermostat location.

5. Attach thermostat cable to cord and pull thermostat wires through hole in wall so that 6" of wire protrudes.

ATTACH WALL MOUNTING PLATE TO WALL

CAUTION

To prevent electrical shock and/or equipment damage, disconnect electric power to system, at main fuse or circuit breaker box, until installation is complete.

1. Disconnect electrical power at main fuse or circuit breaker.
2. Pull wires through opening near center of wall mounting plate and connect wires beneath terminal screws (see figs. 2 through 5).
3. Push excess wiring into wall and plug hole with fire-resistant material (such as fiberglass insulation) to prevent drafts from affecting thermostat operation.
4. Position wall mounting plate over hole in wall and mark mounting hole locations on wall.
5. Drill mounting holes.

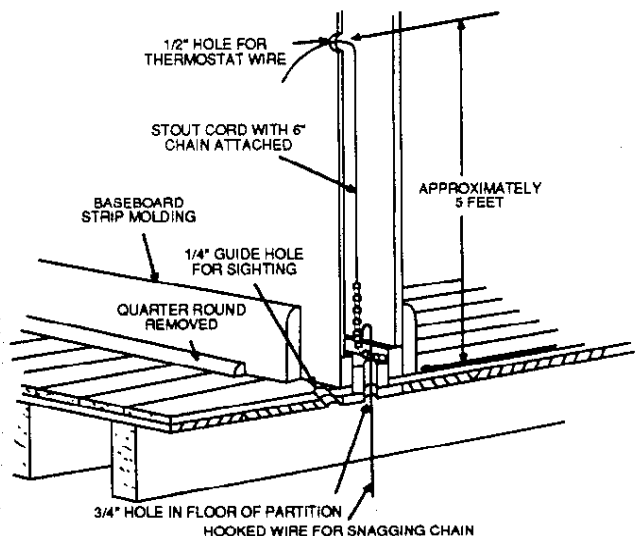


Figure 1. Routing Thermostat Wires

- Fasten wall mounting plate loosely to wall, as shown, using two mounting screws. Place a level against bottom of wall mounting plate, adjust until level, and then tighten mounting screws to secure wall mounting plate. If holes in wall are too large and do not allow you to tighten wall mounting plate snugly, use plastic expansion plugs to secure wall mounting plate.

NOTE

These typical wiring diagrams show only the terminal identification and wiring hookup. Always refer to wiring instructions, provided by equipment manufacturer, for system hookup operation.

CAUTION

Take care when securing and routing wires so they do not short to adjacent terminals or rear of thermostat. Personal injury and/or property damage may occur.

ATTACH THERMOSTAT TO WALL MOUNTING PLATE

- Remove cover from thermostat base by gripping the base in one hand. Use the other hand to pull gently at the top or bottom of the cover.
- Carefully remove the shipping protective packing from the switch.

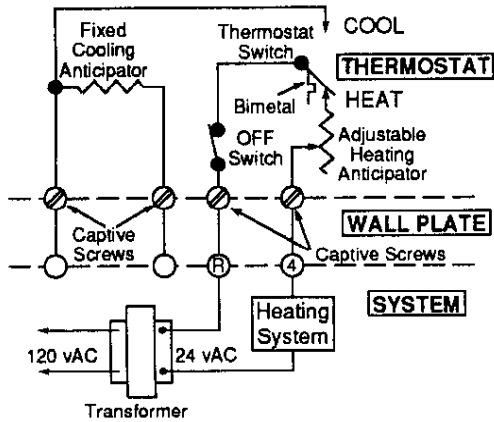


Figure 2. Typical wiring for heating only system

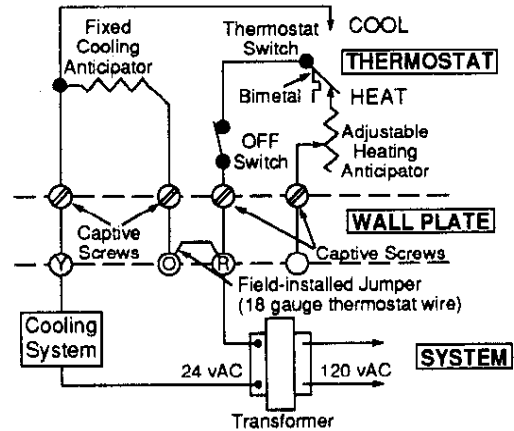


Figure 3. Typical wiring for cooling only system

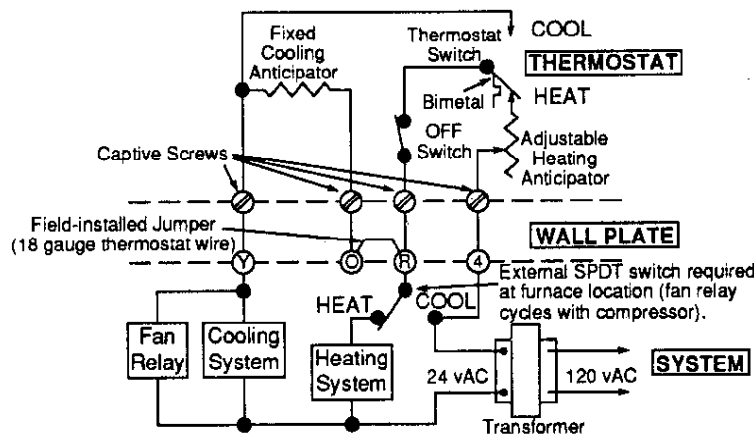
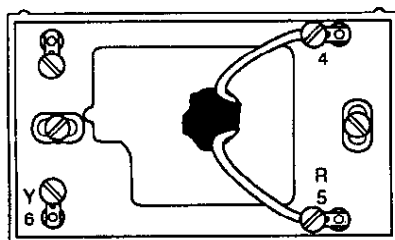
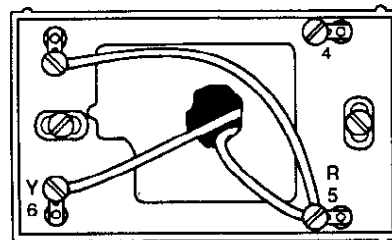


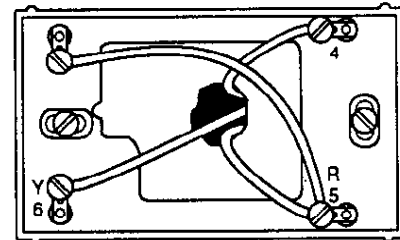
Figure 4. Typical wiring for heating/cooling system



FOR HEATING ONLY SYSTEM



FOR COOLING ONLY SYSTEM



FOR HEATING/COOLING SYSTEM

Figure 5. Wall mounting plate (shown with wiring for different applications)

3. Attach thermostat base to wall mounting plate, being sure that all captive screws are tightened snugly, since they serve as electrical connections between thermostat and wall mounting plate (see fig. 6).
4. Snap cover on thermostat and set temperature lever to desired set point.
5. Turn on power to the system.

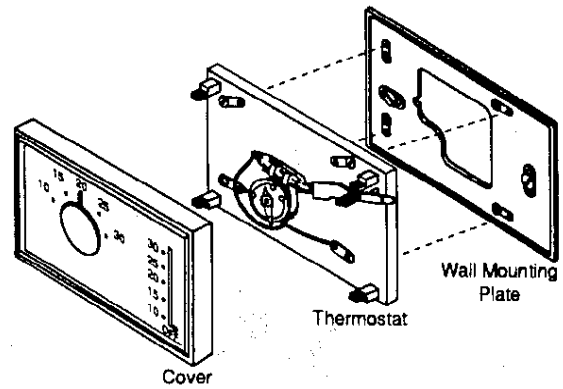


Figure 6. Attach thermostat to subbase

ADJUSTMENT

ADJUSTING HEAT ANTICIPATOR

⚠ CAUTION

The adjustable heat anticipator **WILL BURN OUT** if 25vAC is applied directly to the thermostat by shorting out the primary control during testing. This may cause personal injury and/or property damage.

This thermostat is equipped with an adjustable heat anticipator and was preset at the factory to provide satisfactory operation of the heating system under normal conditions. If additional adjustments are necessary, they may be made as follows (see fig. 7):

1. Remove thermostat cover.
2. If heat cycle is too long, set heat anticipator to a slightly lower dial setting (1/2 division).
3. If heat cycle is too short, set heat anticipator to a slightly higher dial setting (1/2 division).
4. Replace thermostat cover.

CALIBRATING THERMOSTAT

This thermostat has been carefully adjusted at the factory and should not require recalibration.

Due to environmental conditions, during normal operation there may be a few degrees of difference between the indicator setting of the thermostat and actual room temperature. If the disagreement is appreciable, however, first make sure that the thermostat is properly located and leveled. Then, if recalibration still seems necessary, proceed as follows:

⚠ CAUTION

To prevent electrical shock and/or equipment damage, disconnect electrical power to the system until recalibration is complete.

1. The anticipator's heat may adversely affect thermostat recalibration. To prevent this, disconnect electrical power to the thermostat at the furnace, main fuse, or breaker box.

2. Move temperature adjustment lever to a setting about 5° above room temperature.
3. Remove thermostat cover. Slip 7/32" wrench onto hex nut beneath bimetal. While holding temperature adjustment lever stationary, turn hex nut clockwise until mercury shifts to the right end of the tube (see fig. 8).
4. Move temperature adjustment lever to lowest setting.
5. Replace thermostat cover. Wait 10 minutes for bimetal temperature to stabilize. Do not stand near the thermostat during this period, as your breath and body heat will affect bimetal temperature.
6. Move temperature adjustment lever to correspond to actual room temperature. Then remove thermostat cover.
7. Slip 7/32" wrench onto hex nut. While holding temperature adjustment lever stationary, turn hex nut counterclockwise until mercury just barely shifts to the left end of the tube (see fig. 8).
8. Replace thermostat cover and set temperature adjustment lever to desired temperature. Turn on electrical power to system.

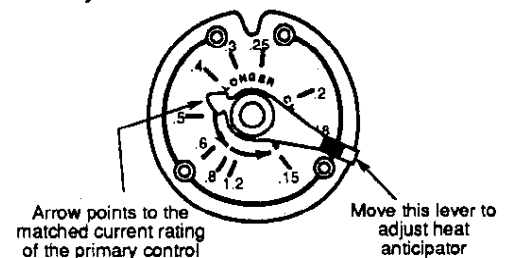


Figure 7. Anticipator adjustment

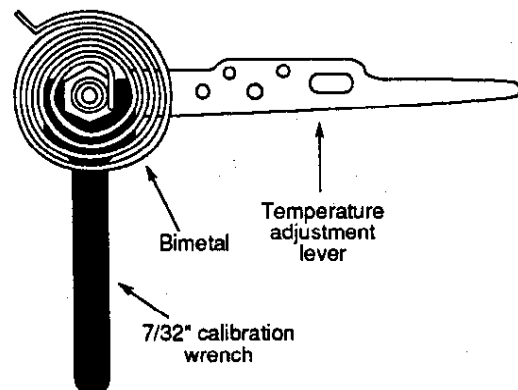


Figure 8. Calibrating thermostat